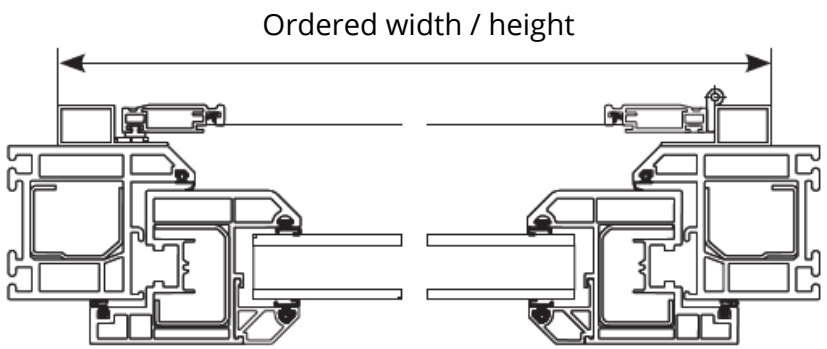
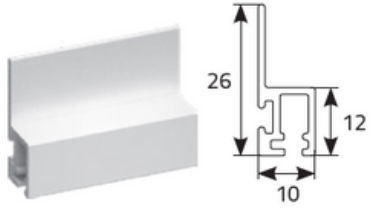


# Door insect screen on MD-1 profile (Type 3)

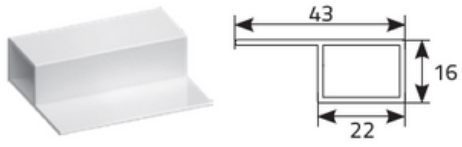
## Mounting type/measurement



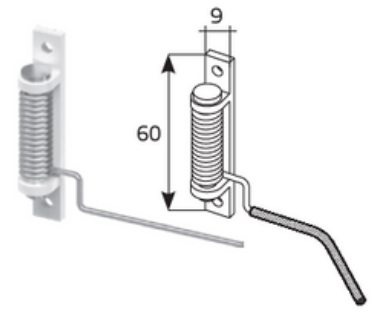
**Bottom profile "h" (standard)**



**Frame profile**



**Door closer (Insect screen with frame)**



**Insect screen with frame type 3**

